

SHAKER MACHINE for parts Alignment/Assembly

PALLET TRANSFER DEVICE "PTM-04"

• [FEATURES]

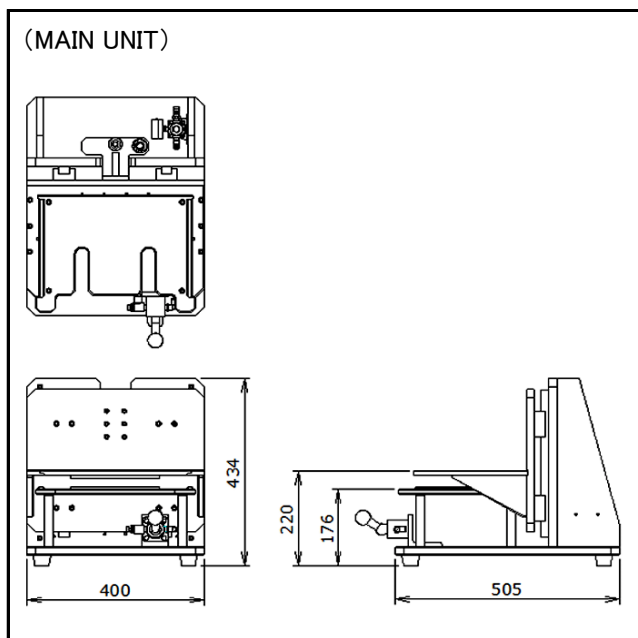
To be used when matching two pallets horizontally with precision for such cases of aligned workpieces being possibly out of position due to shock in the process of overlapping two pallets in which workpieces already aligned.

• [BASIC SPECIFICATION]

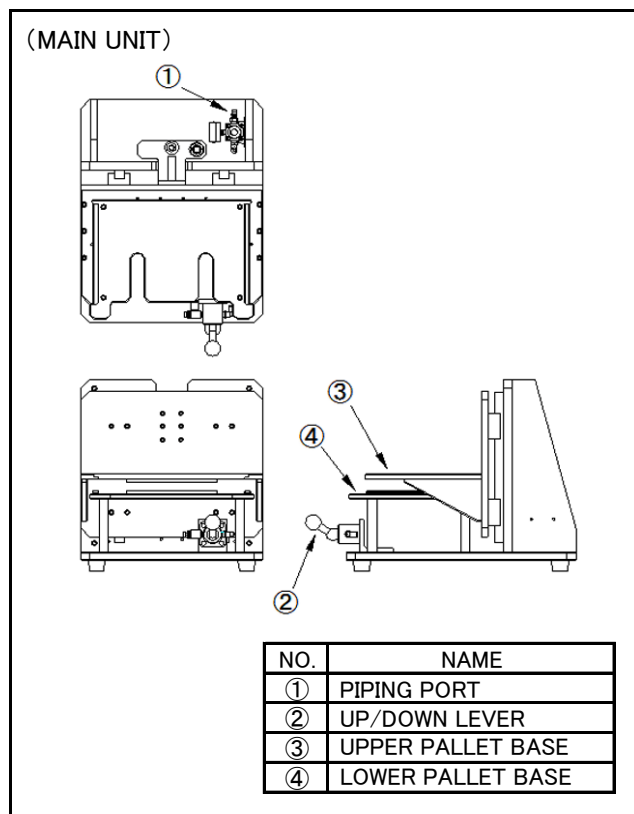
AIR SUPPLY PRESSURE (KPa)	490
MAX PALLET SIZE (mm)	380(W) × 315(D)
MAX PALLET WEIGHT (kg)	5
MAIN UNIT WEIGHT (kg)	38



• [OUTER DIMENSIONAL DRAWING] UNIT(mm)



• [EACH PART NAME]



SHAKETRON LTD.

7-4-26 Ohmori-Nishi, Ohta-Ku, Tokyo Japan 143-0015

Phone : +81-3-3765-7963 / Fax : +81-3-3765-7922 / MAIL : info@shaketreron.com